

Geberit urinal flush control with electronic flush actuation, battery / mains operation

Year of manufacture 2009-

Valid for article(s)

116.021.11.1	116.021.11.5	116.021.21.1	116.021.21.5	116.021.46.1
116.021.46.5	116.022.11.1	116.022.21.1	116.022.46.1	116.023.FW.1
116.024.11.1	116.024.21.1	116.024.46.1	116.025.KH.1	116.025.KJ.1
116.025.KK.1	116.025.KL.1	116.025.KM.1	116.025.KN.1	116.025.SN.1
116.026.GH.1	116.031.11.1	116.031.11.5	116.031.21.1	116.031.21.5

more

Model name:

HyTronic

Assembly group:

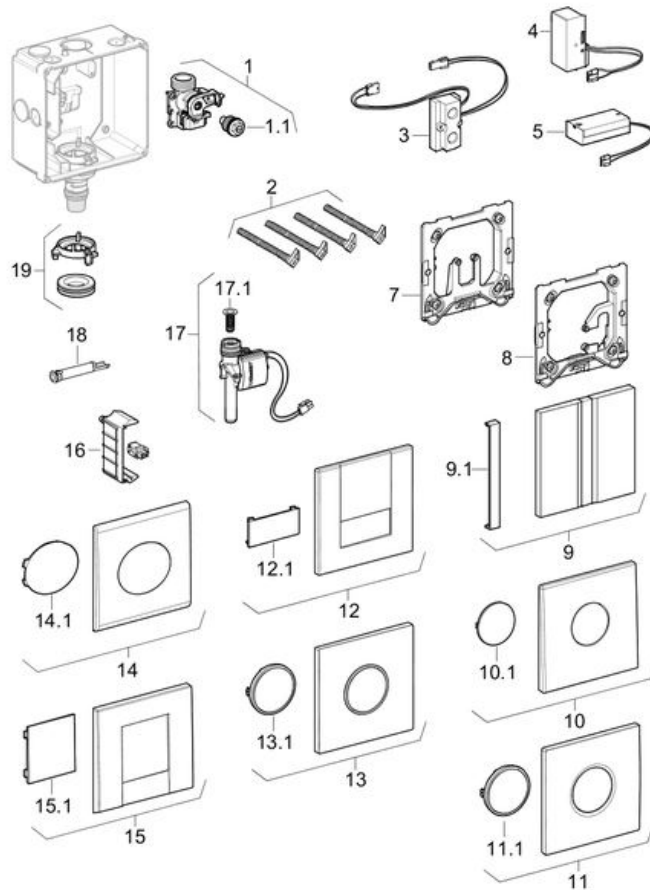
-

Dimension / Design:

Cover plate: 13 x 13 cm

PA number:

-



Pos.	Article no.	Description	Comment
1	241.934.00.1	Geberit throttle	
1.1	241.933.00.1	Geberit regulating screw	
2	241.931.00.1	Geberit set of distance bolts	
3	241.941.00.1	Geberit sensor electronics	
4	241.944.00.1	Geberit power supply unit	
5	241.945.00.1	Battery compartment	

7	241.942.00.1	Geberit mounting frame, vertical	
8	241.943.00.1	Geberit mounting frame, horizontal	For Tango cover plate
9	241.926.GH.1	Geberit cover plate Sigma50: brushed chrome	
9.1	241.906.00.1	IR window for Geberit urinal flush control with electronic flush actuation, cover plate Sigma50	
10	241.923.FW.1	Geberit cover plate Mambo: stainless steel brushed	
10.1	241.903.00.1	IR window for Geberit urinal flush control with electronic flush actuation, cover plate Mambo	
11	242.821.11.1	Geberit cover plate Sigma01: white alpine	
11	242.821.21.1	Geberit cover plate Sigma01: bright chrome-plated	
11	242.821.46.1	Geberit cover plate Sigma01: matt chrome-plated	
11.1	241.905.00.1	IR window for Geberit urinal flush control with electronic flush actuation, cover plate Sigma01 and Sigma10	
12	241.924.11.1	Geberit cover plate Tango: white alpine	
12	241.924.21.1	Geberit cover plate Tango: bright chrome-plated	
12	241.924.46.1	Geberit cover plate Tango: matt chrome-plated	
12.1	241.904.00.1	IR window for Geberit urinal flush control with electronic flush actuation, cover plate Tango	
13	241.925.KH.1	Geberit cover plate Sigma10: bright chrome / matt chrome / bright chrome	
13	241.925.KJ.1	Geberit cover plate Sigma10: white / bright chrome / white	
13	241.925.KK.1	Geberit cover plate Sigma10: white / gold-plated / white	
13	241.925.KL.1	Geberit cover plate Sigma10: white / matt chrome / white	
13	241.925.KM.1	Geberit cover plate Sigma10: black / bright chrome / black	
13	241.925.KN.1	Geberit cover plate Sigma10: matt chrome / bright chrome / matt chrome	
13	241.925.SN.1	Geberit cover plate Sigma10: stainless steel brushed/polished/brushed	
13.1	241.905.00.1	IR window for Geberit urinal flush control with electronic flush actuation, cover plate Sigma01 and Sigma10	
14	241.921.11.1	Geberit cover plate Samba: white alpine	
14	241.921.21.1	Geberit cover plate Samba: bright chrome-plated	
14	241.921.46.1	Geberit cover plate Samba: matt chrome-plated	
14.1	241.901.00.1	IR window for Geberit urinal flush control with electronic flush actuation, cover plate Samba	
15	241.922.11.1	Geberit cover plate Bolero: white alpine	
15	241.922.21.1	Geberit cover plate Bolero: bright chrome-plated	
15	241.922.46.1	Geberit cover plate Bolero: matt chrome-plated	
15.1	241.902.00.1	IR window for Geberit urinal flush control with electronic flush actuation, cover plate Bolero	

16	241.947.00.1	Geberit terminal with cover	
17	241.946.00.1	Geberit solenoid valve	
17.1	241.932.00.1	Geberit basket filter	
18	242.484.00.1	Flow limiter for Geberit urinal flush control with electronic/pneumatic flush actuation	
19	242.156.00.1	Bayonet joint set with lip seal, for Geberit urinal flush control	

Related spare parts lists

Geberit remote control device

Geberit installation set, for Geberit urinal flush control with electronic flush actuation