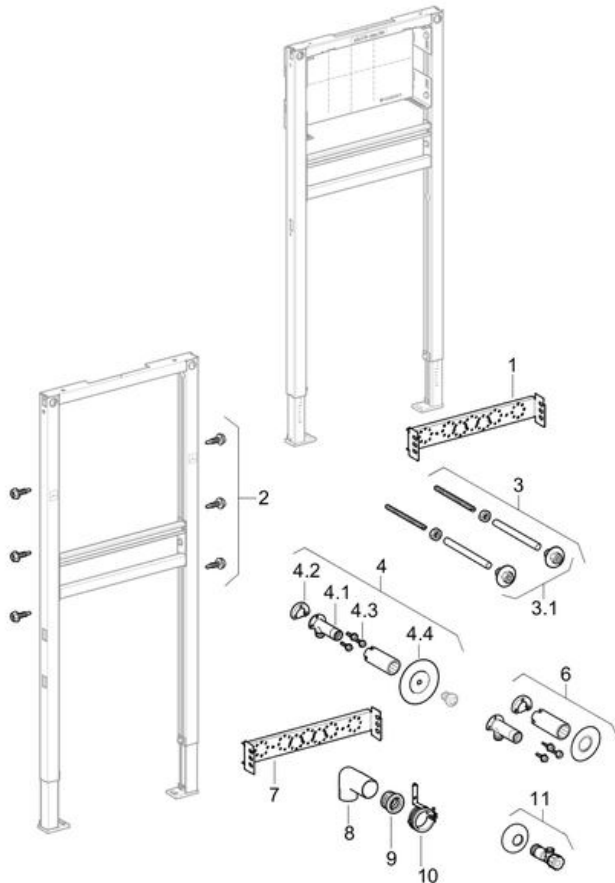


Geberit Duofix element for washbasin

Year of manufacture 2000-

Valid for article(s)

111.430.00.1	111.434.00.1	111.437.00.1	111.486.00.1	111.490.00.1
111.493.00.1	111.777.00.1			



Pos.	Article no.	Description	Comment
1	241.804.00.1	Geberit Duofix crossbar for wall-mounted tap	
2	111.892.00.1	Geberit Duofix hexagon head setscrew with crosshead, self-cutting	Multipack
3	241.059.00.1	Geberit set of threaded rods M10	
3.1	241.009.00.1	Geberit flange nut set	
4	465.034.00.1	Geberit elbow tap connector 90° for MeplaFix: Gunmetal RMF 1/2" Rp1/2" L7cm	
4.1	602.287.00.1	Geberit elbow tap connector 90° for MeplaFix: Gunmetal RMF 1/2" Rp1/2" L7cm	
4.2	601.802.00.1	Geberit sound insulation base for tap connector, straight	
4.3	216.197.00.1	Geberit TAPTITE® screw set	
4.4	601.812.00.1	Geberit sealing washer for connections: D12cm	
6	465.038.00.1	Geberit set tap connector 90° with male thread and soldering socket: Gunmetal d15mm R1/2" Rp1/2" L7.8cm	

7	241.803.00.1	Geberit Duofix crossbar for deck-mounted tap
8	361.080.16.1	Geberit HDPE connection bend 90° for sleeve: d50mm d1=50mm di44mm
9	152.682.00.1	Geberit sleeve: d32mm di44mm
9	152.796.00.1	Geberit sleeve: d40mm d1=44mm black
10	241.805.00.1	Geberit Duofix pipe bracket d40, for connector bend for washbasin
11	241.680.21.1	Geberit angle stop valve G 3/8 / G1/2: bright chrome-plated