

Geberit Sigma concealed cistern 12 cm (UP320)
Year of manufacture 2008-
Valid for article(s)

109.300.00.5

109.392.00.5

Model name:

UP320 / Sigma 12 cm

Dimension / Design:

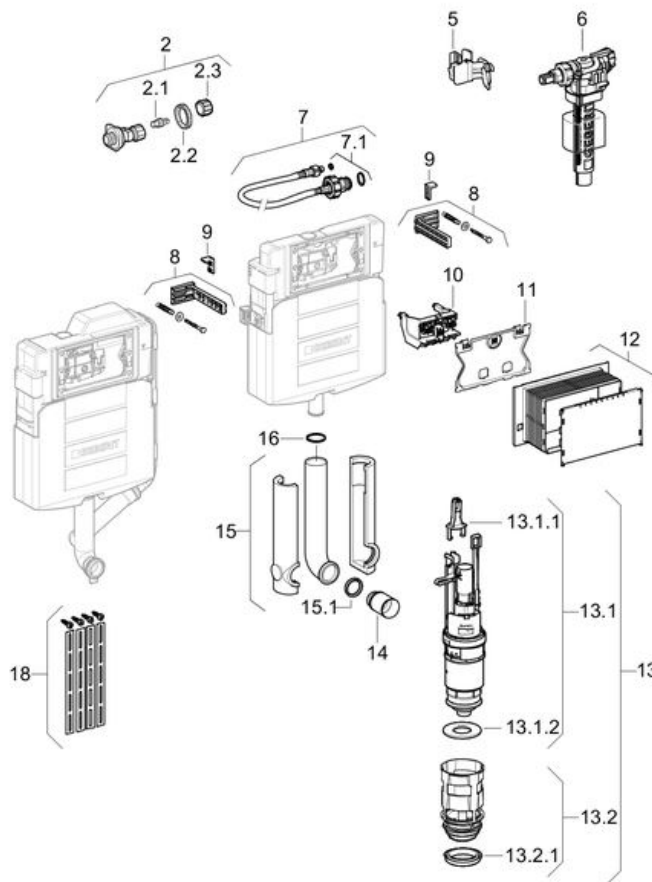
Service opening: 22 x 14 cm, cistern: 39.5 x 42.5 cm

PA number:

-

Assembly group:

-



Pos.	Article no.	Description	Comment
2	240.269.00.1	Geberit water supply connection with integrated angle stop valve	
2	240.847.00.1	Geberit water supply connection with integrated angle stop valve	
2.1	240.298.00.1	Geberit regulation spindle for angle stop valve	For use with hand wheel
2.2	241.857.00.1	Geberit counter nut	
2.3	240.347.00.1	Geberit hand wheel for angle stop valve	
5	240.923.00.1	Mounting clip for Geberit fill valve type 380	
6	240.705.00.1	Geberit fill valve type 380, water supply connection left/right, 3/8", nipple made of brass	

6		Geberit fill valve type 380, side connection	more spare parts
7	240.921.00.1	Reinforced braided hose for Geberit concealed cistern	
7	241.854.00.1	Reinforced braided hose, dezincification-resistant, for Geberit concealed cistern	
7.1	240.922.00.1	Geberit set of seals for reinforced braided hose	
8	465.027.00.1	Geberit fixing bracket 16 cm	
9	889.711.00.1	Geberit fixing slider	
10	241.829.00.1	Support block for Geberit Sigma concealed cistern 12 cm	
11	241.824.00.1	Protection plate for Geberit Sigma concealed cistern 12 cm	
12	241.826.00.1	Protection box for service opening, for Geberit Sigma concealed cistern	
13	241.858.00.1	Geberit flush valve with basket	
13.1	240.622.00.1	Geberit flush valve	
13.1.1	241.167.00.1	Flush valve bracket for Geberit flush valves	
13.1.2	816.418.00.1	Flat gasket for Geberit flush valves of exposed and concealed cisterns: d63mm	
13.2	241.859.00.1	Basket for Geberit concealed cistern	
13.2.1	241.868.00.1	Geberit section seal for basket	
14	362.796.92.1	Geberit protection plug: d44.6mm	
15	119.652.16.1	Geberit flush bend set 90°, insulated: d56mm black	
15.1	362.771.00.1	Lip seal for Geberit flush pipe: d45mm	
16	892.975.00.1	Geberit O-ring for outlet connection piece	
18	241.017.00.1	Geberit slotted flat iron with screws	

Related spare parts lists

Geberit WC flush control with pneumatic flush actuation, single flush, concealed actuator
 Geberit WC flush control with pneumatic flush actuation, single flush, concealed actuator
 Geberit WC flush control with pneumatic flush actuation, single flush, concealed actuator
 Geberit WC flush control with pneumatic flush actuation, single flush, with locked nuts, for institutions
 Geberit WC flush control with pneumatic flush actuation, single flush, with locked nuts, concealed actuator, for furniture
 Geberit actuator plate Rumba, Mambo, Tango, Sigma10, for stop-and-go flush
 Geberit actuator plate Samba, Bolero, Sigma01, Sigma20, Sigma50, for dual flush
 Geberit cover plate Sigma
 Geberit actuator plate Sigma40, for dual flush, with integrated odour extraction unit